

Bild:0639175E\_4.tif PL:W

Pos.-Nr. in Klammern ( ) sind keine Bestandteile dieser Baugruppe / items marked with ( ) are not part of assembly shown / Les pièces entre parenthèses ne font pas partie du sous-groupe

Diese Zeichnung darf nicht kopiert, vervielfältigt oder dritten Personen zugänglich gemacht werden. Widerrechtliche Benutzung hat strafrechtliche Folgen. / This drawing should not be, in whole or in part, copied, distributed or be used by or passed on as information to others for competition purposes or for whatever purposes without authorization. Unauthorized use is subject to prosecution.

| Pos.<br>Pos.<br>Code | Bestell-Nr.<br>Order-No.<br>Référence | Stück<br>Pièces<br>Pièce | V <sup>1</sup> / D <sup>2</sup> / R <sup>3</sup> | Artikelbezeichnung                                 | Part Description                                     | Désignation des articles                                  |
|----------------------|---------------------------------------|--------------------------|--|--|--|---|
| (1.)                 | 0221449<br>0642843                    | 1                        |  | Kupplungsstück<br>Kupplungsstück (HDP 138.26)      | coupling piece<br>coupling piece (HDP 138.26)        | pièce d'accouplement<br>pièce d'accouplement (HDP 138.26) |
| (2.)                 | 0496928                               | 1                        | D, R   | O-Ring   | o-ring   | joint torique   |
| 3.                   | 0639170                               | 1                        |  | Hochdruckkopf                                      | high pressure head                                   | tête à haute pression                                     |
| (4.)                 | 0310239                               | 1                        | D, R   | O-Ring   | o-ring   | joint torique   |
| (5.)                 | 0210714                               | 1                        |  | Ablafschraube                                      | draining screw                                       | vis de remplissage  |
| 6.                   | 0638676                               | 1                        |  | Anzugring  | connecting ring                                      | bague de montage  |
| 7.                   | 0638681                               | 1                        |  | S-Ring   | retaining ring                                       | circlip   |
| (8.)                 | 0460036                               | 4                        |  | U-Scheibe  | washer   | rondelle  |
| (9.)                 | 0607401<br>0630652                    | 4                        |  | Schraube<br>Schraube (HDP 138.26)                  | screw<br>screw (HDP 138.26)                          | vis<br>vis (HDP 138.26)                                   |
| 10.                  | 0640209                               | 1                        |  | Anzugmutter  | retaining cap  | écrou de serrage  |
| 11.                  | 0638675                               | 1                        |  | Ring geteilt                                       | ring divided   | anneau divisé   |
| 12.                  | 0634469                               | 1                        |  | Sattelring   | saddle ring  | bague de retenue  |
| 13.                  | 0638687                               | 1                        | V, R   | Manschettensatz, bestehend<br>aus Pos. 13.1-13.5   | packing ring set, consisting of<br>pos. 13.1-13.5    | jeu de joints, consistant en<br>pos. 13.1-13.5            |
| 13.1                 | 0631392                               | 1                        | V, R   | Manschette Teflon                                  | packing ring teflon                                  | joint en teflon   |
| 13.2                 | 0632291                               | 1                        | V, R   | Manschette Leder                                   | packing ring leather                                 | joint en cuir   |
| 13.3                 | 0631392                               | 1                        | V, R   | Manschette Teflon                                  | packing ring teflon                                  | joint en teflon   |
| 13.4                 | 0632291                               | 1                        | V, R   | Manschette Leder                                   | packing ring leather                                 | joint cuir  |
| 13.5                 | 0631392                               | 1                        | V, R   | Manschette Teflon                                  | packing ring teflon                                  | joint en teflon   |
| 14.                  | 0631393                               | 1                        |  | Gegenring  | counter ring   | contre-anneau   |
| 15.                  | 0630855                               | 1                        | D, R   | Dichtring  | gasket   | joint   |
| 16.                  | 0638683                               | 1                        |  | Druckfeder   | spring   | ressort   |
| (17.)                | 0222119                               | 1                        | D, R   | Dichtring  | gasket   | joint   |
| (18.)                | 0061077                               | 1                        | V  | Rückschlagventil<br>bestehend aus Pos. (18.1-18.4) | non-return valve<br>consisting of pos. (18.1)-(18.4) | soupape de non-retour<br>consistant en pos. (18.1-18.4)   |
| (18.1)               | 0471798                               | 1                        |  | Gewindestift                                       | threaded pin   | vis sans tête   |
| (18.2)               | 0471801                               | 1                        |  | Zylinderstift                                      | cylindrical pin                                      | goupille cylindrique                                      |
| (18.3)               | 0412279                               | 1                        | V  | Kugel  | ball   | bille   |
| (18.4)               | 0214361                               | 1                        |  | Ventilgehäuse                                      | valve housing  | corps de vanne  |
| 19.                  | 0639172                               | 1                        |  | Federgehäuse                                       | spring housing                                       | logement de ressort                                       |
| 20.                  | 0638683                               | 1                        |  | Druckfeder   | spring   | ressort   |
| 21.                  | 0630855                               | 1                        | D, R   | Dichtring  | gasket   | joint   |
|                      | 0650192                               | 1                        | V  | Doppelkolben kpl., bestehend<br>aus Pos. 22-27     | dual piston cpl., consisting of<br>pos. 22-27        | piston double cpl.,<br>consistant en pos. 22-27           |
| 22.                  | 0631391                               | 1                        | V  | Doppelkolben                                       | dual piston  | piston double   |
| 23.                  | 0222100                               | 1                        | D, R   | Dichtung   | gasket   | joint   |
| 24.                  | 0410225                               | 1                        | V, R   | Kugel  | ball   | bille   |
| 25.                  | 0605743                               | 1                        |  | Kugelführung                                       | ball guide   | guidage de bille  |

HD 138 / 120 -R-

| Pos.<br>Pos.<br>Code<br>(Forts.) | Bestell-Nr.<br>Order-No.<br>Référence | Stück<br>Pieces<br>Pièce | V <sup>1</sup> / D <sup>2</sup> / R <sup>3</sup> | Artikelbezeichnung                                   | Part Description                                      | Désignation des articles                                  |
|----------------------------------|---------------------------------------|--------------------------|--|--|---|---|
| 26.                              | 0606472                               | 1                        | V  | Ventilgehäuse kpl.                                   | valve housing cpl.                                    | corps de vanne cpl.                                       |
| 27.                              | 0472344                               | 1                        | V  | Zylinderstift  | cylindrical pin                                       | goupille cylindrique                                      |
| 28.                              | 0631397                               | 1                        |  | Gegenring  | counter ring  | contre-anneau   |
| 29.                              | 0638688                               | 1                        | V, R   | Manschettensatz<br>bestehend aus Pos. 29.1-29.6      | packing ring set<br>consisting of pos. 29.1-29.6      | jeu de joints<br>consistant en pos. 29.1-29.6             |
| 29.1                             | 0631396                               | 1                        | V, R   | Manschette Teflon                                    | packing ring teflon                                   | joint en teflon   |
| 29.2                             | 0632292                               | 1                        | V, R   | Manschette Leder                                     | packing ring leather                                  | joint en cuir   |
| 29.3                             | 0631396                               | 1                        | V,R  | Manschette Teflon                                    | packing ring teflon                                   | joint en teflon   |
| 29.4                             | 0632292                               | 1                        | V,R  | Manschette Leder                                     | packing ring leather                                  | joint en cuir   |
| 29.5                             | 0632525                               | 1                        | V,R  | Doppelsattelring                                     | dual saddle ring                                      | bague de retenue double                                   |
| 29.6                             | 0631396                               | 1                        | V,R  | Manschette Teflon                                    | packing ring teflon                                   | joint en teflon   |
| 30.                              | 0632527                               | 1                        |  | Gegenring  | counter ring  | contre-anneau   |
| 31.                              | 0639173                               | 1                        |  | Druckzylinder  | pressure cylinder                                     | cylindre de pression                                      |
| 32.                              | 0621250                               | 1                        | V  | Zylinderstift  | cylindrical pin                                       | goupille cylindrique                                      |
| 33.                              | 0638682                               | 1                        |  | Gewindestift   | threaded pin  | vis sans tête   |
| 34.                              | 0640209                               | 1                        |  | Anzugmutter  | retaining cap   | écrou de serrage  |
| 35.                              | 0638681                               | 1                        |  | S-Ring   | retaining ring  | circlip   |
| 36.                              | 0412422                               | 1                        | V, R   | Kugel  | ball  | bille   |
| 37.                              | 0641780                               | 1                        | D, R   | Dichtung   | gasket  | joint   |
| 38.                              | 0415286                               | 1                        | V  | Ventilplatte   | valve plate   | plaque de serrage   |
| 39.                              | 0638678                               | 1                        |  | Doppelnippel   | male adaptor  | raccord double mâle                                       |
|                                  | 0639171                               |                          | R  | Dichtungssatz  | seal kit  | jeu de joints   |
|                                  | 0639176                               |                          |  | Reparatursatz  | repair kit  | jeu de réparation   |
|                                  |                                       |                          |  | optional erhältlich                                  | optionally available                                  | disponible optionalement                                  |
|                                  |                                       |                          |  | Manschetten oben                                     | packing ring upper                                    | joints supérieures  |
|                                  | 0631392                               |                          | V  | Manschette Teflon, schwarz                           | packing ring teflon, black                            | joint en teflon, noir                                     |
|                                  | 0647050                               |                          | V  | Manschette Teflon, weiss                             | packing ring teflon, white                            | joint en teflon, blanc                                    |
|                                  | 0632291                               |                          | V  | Manschette Leder                                     | packing ring leather                                  | joint en cuir   |
|                                  | 0632646                               |                          | V  | Manschette SDM, grün                                 | packing ring SDM, green                               | joint en SDM, vert  |
|                                  | 0647051                               |                          | V  | Manschette PUR, rot                                  | packing ring PUR, red                                 | joint en PUR, rouge                                       |
|                                  |                                       |                          |  | Manschetten unten                                    | packing ring  | joints inférieures  |
|                                  | 0631396                               |                          | V  | Manschette Teflon, schwarz                           | packing ring teflon, black                            | joint en teflon, noir                                     |
|                                  | 0647052                               |                          | V  | Manschette Teflon, weiss                             | packing ring teflon, white                            | joint en teflon, blanc                                    |
|                                  | 0632292                               |                          | V  | Manschette Leder                                     | packing ring leather                                  | joint en cuir   |
|                                  | 0632655                               |                          | V  | Manschette SDM, grün                                 | packing ring SDM, green                               | joint en SDM, vert  |
|                                  | 0647053                               |                          | V  | Manschette PUR, rot                                  | packing ring PUR, red                                 | joint en PUR, rouge                                       |
|                                  |                                       |                          |  | Werkzeug für Montage/De-<br>montage (ohne Abbildung) | tools for assembly/disas-<br>sembly (not illustrated) | outils pour le montage/dé-<br>montage (sans illustration) |
|                                  | 0465399                               |                          |  | Einmaulschlüssel für Pos.3                           | open-jaw wrench for pos.3                             | clé à fourche simple pour pos.3                           |
|                                  | 0465380                               |                          |  | Einmaulschlüssel für Pos. 31                         | open-jaw wrench for pos. 31                           | clé à fourche simple pour pos.31                          |
|                                  | 0465364                               |                          |  | Einmaulschlüssel für Pos. 39                         | open-jaw wrench for pos. 39                           | clé à fourche simple pour pos.39                          |
|                                  | 0613878                               |                          |  | Hakenschlüssel für Pos.10+34                         | hook spanner for pos. 10+34                           | clé à ergot pour pos. 10+34                               |

Materialpumpe

Material Pump

Section fluide

HD 138 / 120 -R-

Bestell-Nr. • Order-No. • Référence: 0639175

Serie • Serie • Série: 000

Datum • Date • Date: 14.03.2023



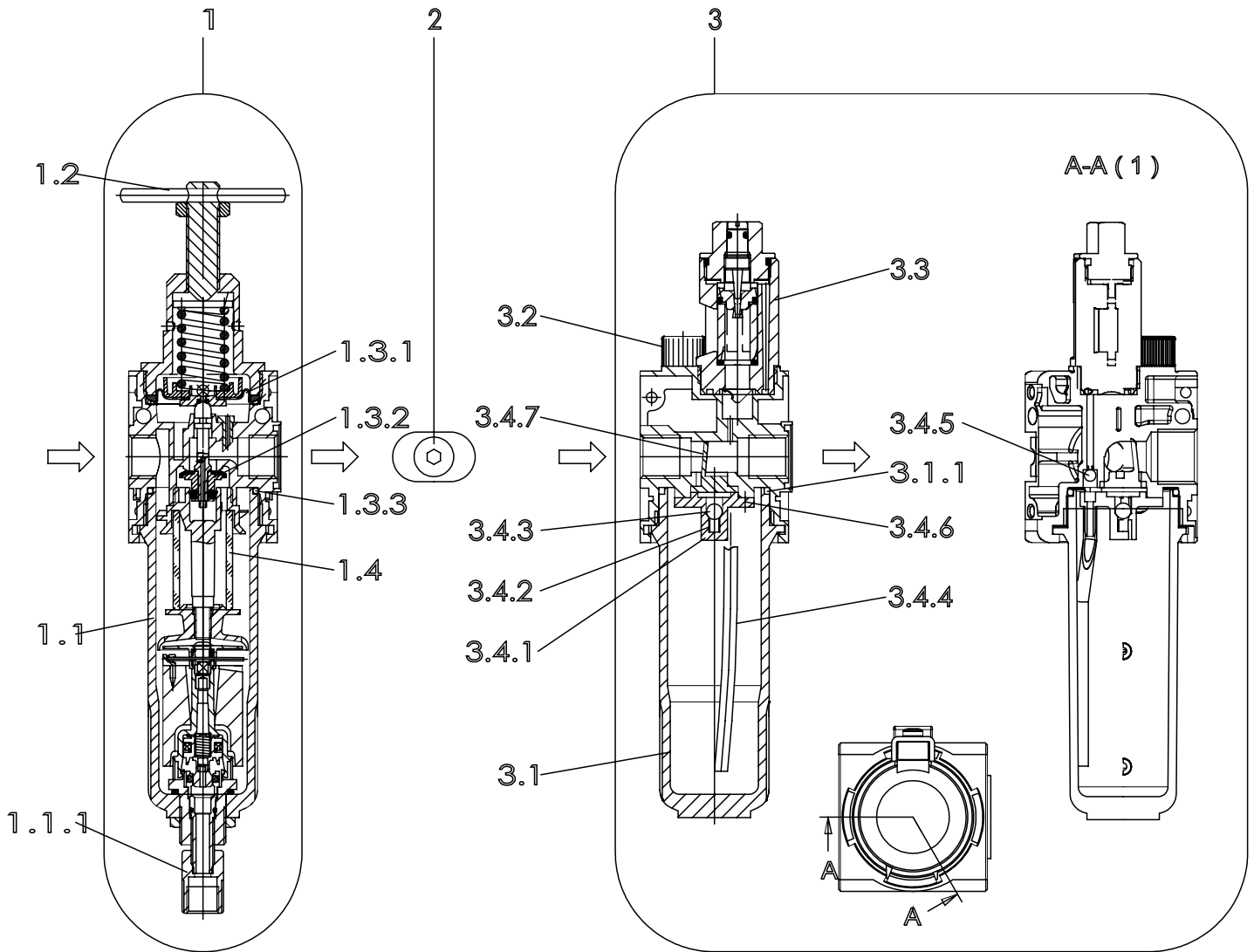
<sup>1</sup>V= Verschleißteile • Wear parts • Pièces d'usure usuelles  
<sup>2</sup>D= Teile des Dichtungssatzes • Parts of seal kit • Pièces de kit de joints  
<sup>3</sup>R= Teile des Reparatursatzes • Parts of repair kit • Pièces de kit de reparation  
<sup>3</sup>R<sub>G</sub> = Teile des Reparatursatzes, groß • Parts of repair kit, big • Pièces de kit de reparation grand  
<sup>3</sup>R<sub>K</sub> = Teile des Reparatursatzes, klein • Parts of repair kit, small • Pièces de kit de reparation, petit

Sicherungsmittel / Thread sealant / produit d'étanchéité

| Symbol /<br>Symbol /<br>Symbole | Beschreibung /<br>Description /<br>Description   | Artikel / Bestell-Nr.<br>Article / Order-No.<br>L'article / Référence |
|---------------------------------|--|---|
| <b>r</b>                        | schwach / light / léger (50 ml)  | 222 / 0000016   |
| <b>b</b>                        | mittel / medium / medium (50 ml)   | 243 / 0000015   |
| <b>schw</b>                     | mittel, Kunststoff-Stahl / medium, plastic-steel / medium, plastique-acier (20 ml)   | 480 / 0000107   |
| <b>g</b>                        | hochfest / high-streng / hautesistance (50 ml)<br>hochfest für Cr/Ni-Teile / for Cr/Ni steel parts /<br>pour partes fabriqué de Cr/Ni (50 ml)                    | 601 / 0000014<br>2701 / 0000303                                       |
| <b>p</b>                        | Rohrdichtungspaste / pipe sealant / pâte<br>d'étanchéité pour tuyaux (50 ml)   | 225 / 0000017   |
| <b>a</b>                        | Aktivator / activator / activateur (500 ml)<br>Aktivator für Kunststoffteile / activator for<br>plastic parts / activateur pour pièces de plasti-<br>que (10 ml) | 734 / 0000018<br>770 / 0000108  |
| <b>t</b>                        | Gewindeband / threaded tape / ruban de<br>filetage   | / 0000099   |
| <b>k</b>                        | 2K - Kleber / 2K - adhesive / 2K - adhésif   | / 0000414   |

Betriebsmittel / Machinery materials / Équipement de production

| Symbol /<br>Symbol /<br>Symbole | Beschreibung /<br>Description /<br>Description   | Bestell-Nr.<br>Order-No.<br>Référence |
|---------------------------------|--|---------------------------------------|
| <b>F</b>                        | Fett, säurefrei / acid-free / sans acide   | 0000025                               |
| <b>T</b>                        | Trennmittel / release agent / agent séparateur<br>bei Verarbeitung von Isozyanat / for application<br>with isozyanate / pour l'application de l'isozyanate | 0163333<br>0640651                    |
| <b>M</b>                        | Montagepaste (für R- und RS-Ausführung) / as-<br>sembly paste (for version R or RS) / pâte d'as-<br>semblage (de version R et RS)                          | 0000233                               |
| <b>MS</b>                       | Montagespray (für R- und RS-Ausführung) / as-<br>sembly spray (for version R or RS) / aérosol d'as-<br>semblage (de version R et RS)                       | 0000118                               |



Pos.-Nr. in Klammern () sind keine Bestandteile dieser Baugruppe / items marked with () are not part of assembly shown / Les pièces entre parenthèses ne font pas partie du sous-groupe

Diese Zeichnung darf nicht kopiert, vervielfältigt oder dritten Personen zugänglich gemacht werden, widerrechtliche Benutzung hat strafrechtliche Folgen.  
This drawing should not be, in whole or in part, copied, distributed or be used by or passed on as information to others for competition purposes or for whatever purposes without the authorization of WIWA. Unauthorized use is subject to prosecution.

**Hauptsitz und Produktion / Headquarter & Production**  
**WIWA Wilhelm Wagner GmbH & Co. KG**  
Gewerbestraße 1-3 • 35633 Lahnau, Germany  
Tel: +49 6441 609-0 • Fax: +49 6441 609-50  
E-Mail: info@wiwa.de  
Internet: www.wiwa.de

**WIWA Subsidiary USA**  
107 N.Main St. • P.O.Box 398, Alger, OH 45812  
Tel: +1-419-757-0141 • Fax: +1-419-549-5173  
Toll Free: +1-855-757-0141  
E-Mail: sales@wiwa.com  
Internet: www.wiwausa.com

| Pos.  | Number  | Qty | V <sup>1</sup> /D <sup>2</sup> /R <sup>3</sup> | Artikelbezeichnung                                    | Part Description  | Désignation des articles  |
|-------|---------|-----|--|---|---|---|
| 1     | 0655047 |     |  | Filterregler, beinhaltet:<br>Pos.1.1-1.4.2            | filter regulator, includes:<br>pos.1.1-1.4.2            | régulateur de filtre, inclus:<br>pos.1.1-1.4.2                        |
| 1.1   | 0647770 | 1   |  | Kondensatbehälter Metall<br>inkl.O-Ring (Pos.1.3.3)   | condensation holder<br>incl.o-ring (pos.1.3.3)          | réservoir de condensation<br>avec joint torique (pos.1.3.3)           |
| 1.1.1 | 0650036 | 1   |  | Ablaufventil  | drain valve   | soupape de décharge   |
| 1.2   | 0650149 | 1   |  | Knebel kpl.mit<br>Spindel,Rändelmutter+Fed<br>erhaube | T-handle cpl.with spindle,<br>knureld nut +spring cover | manette cpl. avec broche,<br>écrou + capuchon de ressort              |
| 1.3   | 0647289 | 1   |  | Rep.Satz für Druckregler u.<br>Filtererregler         | repair kit for pressure<br>and filter regulator         | jeu de réparation pour<br>régulateur<br>pression et filtre régulateur |
| 1.3.1 |         | 1   |  | Sickenmembran kpl.                                    | beaded membrane   | membrane nervurée   |
| 1.3.2 |         | 1   |  | Ventilkegel kpl.                                      | valve cone cpl  | cône de soupape cpl   |
| 1.3.3 | 0649969 | 1   |  | O-Ring  | o-ring  | joint torique   |
| 1.4   | 0647769 | 1   |  | Filterelement   | filter element  | élément filtrant  |
| 2     | 0646792 | 1   |  | Anbausatz, beinhaltet:                                | mounting kit, includes:                                 | jeu de pièces détachées,<br>inclus:                                   |
|       | 0651908 | 1   |  | O-Ring  | o-ring  | joint torique   |
|       | 0651909 | 1   |  | O-Ring  | o-ring  | joint torique   |
| 3     | 0655046 | 1   |  | Nebelöler, beinhaltet<br>Pos.3.1-3.4.6                | fog oiler, includes<br>pos.3.1-3.4.6                    | lubrificateur, inclus<br>pos.3.1-3.4.6                                |
| 3.1   |         | 1   |  | Ölbehälter kpl.                                       | oil container cpl.                                      | réservoir d'huile cpl.  |
| 3.1.1 | 0649969 | 1   |  | O-Ring  | o-ring  | joint torique   |
| 3.2   | 0647771 | 1   |  | Öleinfüllschraube kpl.                                | oil filler screw cpl.                                   | vis de remplissage huile cpl.   |
| 3.3   | 0647773 | 1   |  | Metalltropfaufsatz kpl.                               | oil regulator assembly                                  | regulateur de l'huile cpl.  |
| 3.4   | 0648190 | 1   |  | Rep.Satz f. Nebelöler                                 | repair kit fog oiler                                    | kit de réparation p.lubrificateur                                     |
| 3.4.1 |         | 1   |  | Flansch   | flange  | bride   |
| 3.4.2 |         | 1   |  | Druckfeder  | spring  | ressort   |
| 3.4.3 |         | 1   |  | Kugel   | ball  | bille   |
| 3.4.4 |         | 1   |  | Steigrohr   | lifting tube  | tube ascendant  |
| 3.4.5 |         | 1   |  | Kugel   | ball  | bille   |
| 3.4.6 |         | 3   |  | Schraube  | screw   | vis   |
| 3.4.7 |         |     |  | Stauklappe  | sieve   | clapet  |

**ohne Abbildung - not illustrated - sans illustration**

| Pos. | Number    | Qty | V <sup>1</sup> /D <sup>2</sup> /R <sup>3</sup> | Artikelbezeichnung                 | Part Description       | Désignation des articles                      |
|------|-----------|-----|--|------------------------------------|------------------------|---|
| 4    | 0491918   | 1   |  | Manometer G1/4"                    | gauge G1/4"            | manomètre G1/4"                               |
|      | (0647786) | 1   |  | Halter (Befestigung<br>Rückseite)  | holder (rear mounting) | porte-outil (fixation sur face<br>arrière)    |
|      | (0647785) | 1   |  | Halter (Befestigung<br>Oberseite)* | holder (top mounting)* | porte-outil (fixation sur face<br>supérieure) |
|      | (0633070) | 1   |  | Mutter                             | nut                    | écrou   |

\*in Verbindung mit

Mutter -0633070- verwenden / -0633070- nut necessary / utiliser en lien avec l'écrou -0633070-

V<sup>1</sup> = Verschleißteile • Wear parts • Pièces d'usure usuelles

D<sup>2</sup> = Teile des Dichtungssatzes • Parts of seal kit • Pièces de kit de joints

R<sup>3</sup> = Teile des Reparatursatzes • Parts of repair kit • Pièces de kit de réparation

| Sicherungsmittel / Thread sealant / produit d'étanchéité |   |   |
|--|---|---|
| Symbol /<br>Symbol /<br>Symbole                          | Beschreibung / Description / Description  | Artikel / Bestell-Nr.<br>Article / Order-No.<br>L'article / Référence |
| r  | schwach / light / léger   | 222 / 0000016   |
| b  | mittel / medium / léger   | 243 / 0000015   |
| schw   | mittel, Kunststoff-Stahl / medium, plastic-steel /<br>medium, plastique-acier (20ml)  | 480 / 0000107   |
| g  | hochfest / high-streng / hautesistance (50ml)<br>hochfest für Cr/Ni-Teile / for Cr/Ni steel parts / pour<br>partes fabriqué de Cr/Ni (50ml)               | 601 / 0000014<br>2701 / 0000303                                       |
| p  | Rohrdichtungspaste / pipe sealant / pâte<br>d'étanchéité pour tuyaux(50ml)  | 225 / 0000017   |
| a  | Aktivator / activator / activateur (500ml) Aktivator<br>für Kunststoffteile / activator for plastic parts /<br>activateur pour pièces de plastique (10ml) | 734 / 0000018<br>770 / 0000108  |
| t  | Gewindeband / threaded tape / ruban de filetage   | / 0000099   |
| k  | 2K - Kleber / 2K - adhesive / 2K - adhésif  | / 0000414   |

| Betriebsmittel / Machinery materials / Equipement de production |   |   |
|---|---|---|
| Symbol /<br>Symbol /<br>Symbole                                 | Beschreibung / Description / Description  | Artikel / Bestell-Nr.<br>Article / Order-No.<br>L'article / Référence |
| F   | Fett, säurefrei / acid-free / sans acide  | 0000025   |
| FT  | Spezialfett / special grease / graisse spéciale   | 0000423   |
| T   | Trennmittel / release agent / agent séparateur bei<br>Verarbeitung von Isozyanate / for application with<br>isozyanate / pour l'application de l'isozyanate | 0163333<br>0640651  |
| M   | Montagespray (für R- und RS- Ausführung) / assembly<br>spray (for version R or RS) / aérosol d'assemblage ( de<br>de version R et RS)                       | 0000233   |
| MS  | Montagespray (für R- und RS- Ausführung) / assembly<br>spray (for version R or RS) / aérosol d'assemblage ( de<br>de version R et RS)                       | 0000118   |
| MT  | Montagepaste (für hohe Temperaturen) / assembly<br>paste (for high temperatures) / aérosol d'assemblage (pour<br>hautes températures)                       | 0000057   |

**Hochdruckfilter • High Pressure Filter • Filtre haute pression:**

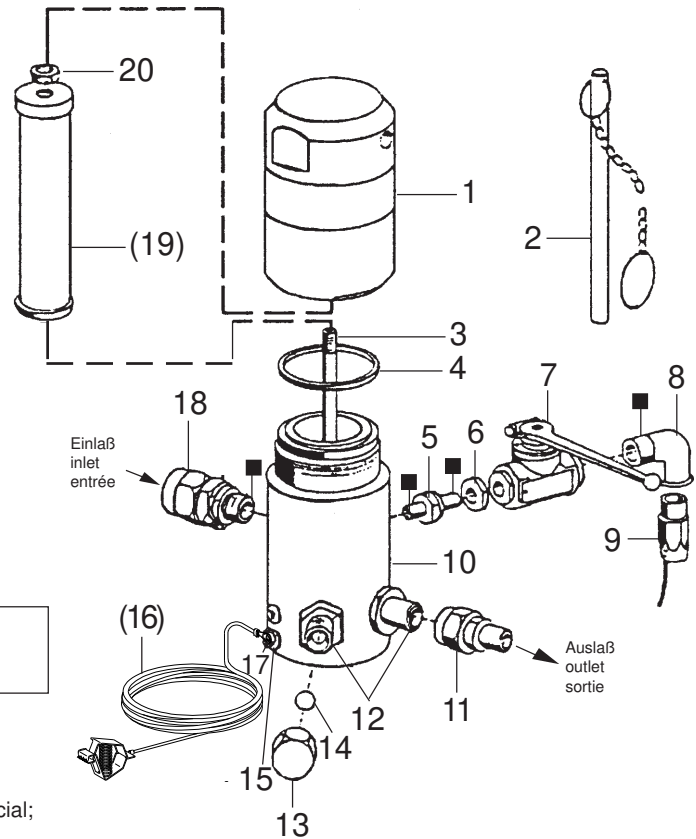
**Typ 11 - R -**

Bestell-Nr. • Order-No. • Référence: **0011800**

Serie • Serie • Série: **001**

Akt.: **10.94**

**Wichtig: Vorschriftsmäßige Erdung**  
**Warning: ground as prescribed**  
**Attention: mettez à la masse**



**Filtereinsätze • filter inserts • filtre seuls: Typ 03**

| Maschenweite<br>mesh size<br>maille | Best.-Nr.<br>Order No.<br>Référence | Werkstoff<br>Material<br>Matière première |
|-------------------------------------|-------------------------------------|---|
| M 30                                | 0467782                             | Gewebe: Edelstahl;                        |
| M 50                                | 0162787                             | Fassung: Kunststoff                       |
| M 70 (Standard)                     | 0162779                             | Screen wire: Special steel;               |
| M100                                | 0162760                             | Rim: Plastic                              |
| M150                                | 0162752                             | Fil toile métallique: Acier special;      |
| M200                                | 0162744                             | Support: Matière artificielle             |

| Pos.<br>Pos.<br>Code | Best.-Nr.<br>Order No.<br>Référence | Stück<br>Pieces<br>Pièce | V <sup>1</sup> /D <sup>2</sup> /R <sup>3</sup> | Artikelbezeichnung             | Part Description               | Désignation des articles              |
|----------------------|-------------------------------------|--------------------------|--|--------------------------------|--------------------------------|---------------------------------------|
| 01                   | 0218359                             | 1                        |  | Kappe                          | cap                            | capot                                 |
| 02                   | 0414719                             | 1                        |  | Stiftschlüssel mit Kette       | spanner with chain             | clef avec chaîne                      |
| 03                   | 0218367                             | 1                        |  | Stehbolzen                     | threaded bolt                  | boulon                                |
| 04                   | 0218375                             | 1                        | V  | O-Ring                         | o-ring                         | joint torique                         |
| 05                   | 0218448                             | 1                        |  | Reduziernippel                 | reducing nipple                | raccord de reduction                  |
| 06                   | 0218286                             | 1                        |  | Mutter                         | nut                            | écrou                                 |
| 07                   | 0412759                             | 1                        |  | Kugelhahn                      | high pressure valve            | robinet à boisseau sphérique          |
| 08                   | 0412716                             | 1                        |  | Winkel                         | elbow                          | coude                                 |
| 09                   | 0412708                             | 1                        |  | Schlauch NW6 / 75 cm           | hose                           | tuyau                                 |
| 10                   | 0218340                             | 1                        |  | Gehäuse                        | housing                        | corps                                 |
| 11                   | 0161179                             | 1                        |  | Anschlußnippel                 | connecting nipple              | raccord                               |
| 12                   | 0214396                             | 2                        |  | Doppelnippel                   | male adaptor                   | raccord double mâle                   |
| 13                   | 0216011                             | 1                        |  | Hutmutter                      | dome nut                       | écrou à capuchon                      |
| 14                   | 0410209                             | 1                        |  | Kugel                          | ball                           | bille                                 |
| 15                   | 0460567                             | 1                        |  | Schraube                       | screw                          | vis                                   |
| (16)                 | 0474487                             | 1                        |  | Erdungskabel                   | ground wire                    | câble de terre                        |
| 17                   | 0460230                             | 1                        |  | U-Scheibe                      | washer                         | rondelle                              |
| 18                   | 0162728                             | 1                        |  | Anschlußnippel                 | connecting nipple              | raccord                               |
| (19)                 |                                     | 1                        | V  | Filtereinsatz (siehe Tabelle)  | filter insert (see table)      | filtre seul (voir tableau)            |
| 20                   | 0485977                             | 1                        |  | Mutter                         | nut                            | écrou                                 |
|                      | 0510149                             | 1                        |  | ohne Abbildung<br>Plastikkappe | not illustrated<br>plastic cap | non illustré<br>capuchon en plastique |

<sup>1</sup>V = Verschleißteile • Wear parts • Pièces d'usure usuelles

<sup>2</sup>D = Teile des Dichtungssatzes • Parts of seal kit • Pièces de kit de joints

<sup>3</sup>R = Teile des Reparatursatzes • Parts of repair kit • Pièces de kit de réparation

■ = Sicherungsmittel 50 ml • Engineering adhesive 50 ml • Colle industrielle 50 ml Best.-Nr. 0000015

□ = Schmiermittel (säurefreies Fett) • Lubrication grease (acid-free)

Matière grasse (sans acide)

Best.-Nr. 0000025

Pos.- Nr. in Klammern ( ) sind keine Bestandteile dieser Baugruppe • Items marked thus ( ) are not part of assembly shown • Les pièces entre parenthèses ne font pas partie du sous-groupe  
 Diese Zeichnung darf nicht kopiert, vervielfältigt oder dritten Personen zugänglich gemacht werden. Widerrechtliche Benutzung hat strafrechtliche Folgen. • This drawing should not be, in whole or in part, copied, distributed or be used by or passed on as information to others for competition purposes or for whatever purposes without the authorization of WIWA. Unauthorized use is subject to prosecution.





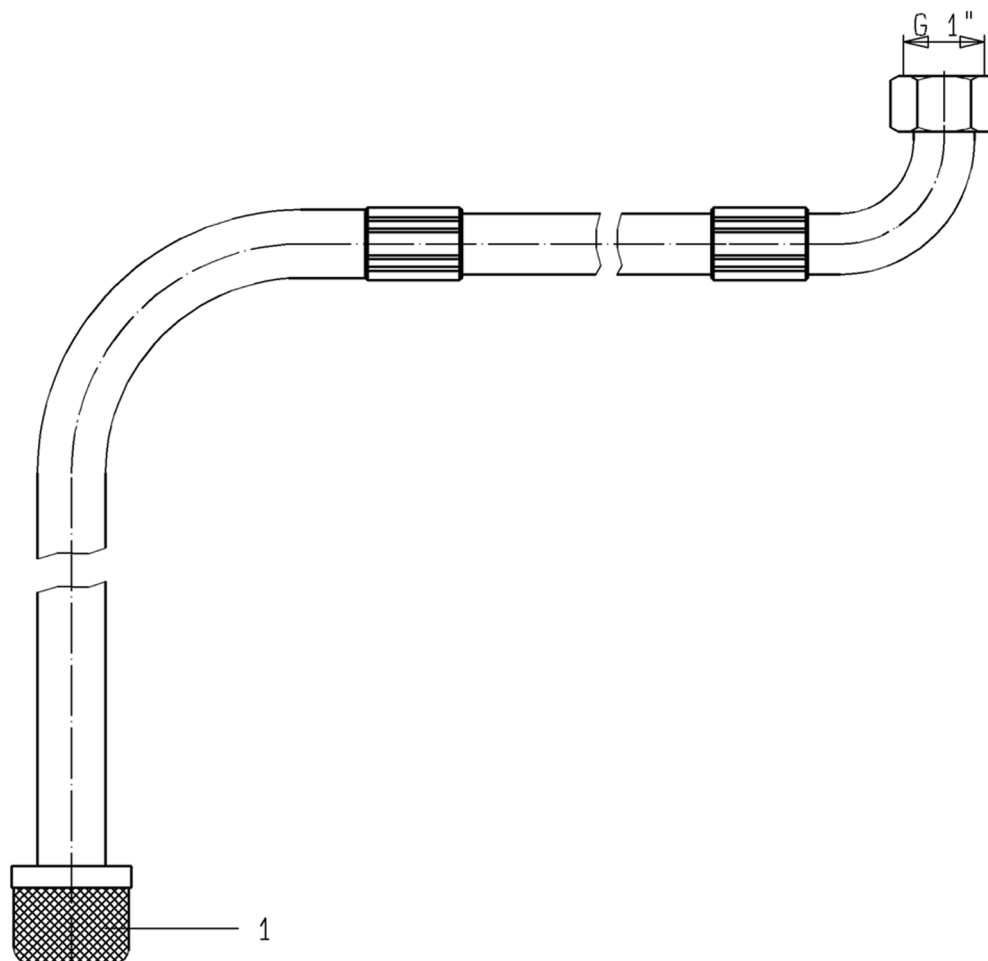


Bild:0652414E .tif PL:W

Pos.-Nr. in Klammern () sind keine Bestandteile dieser Baugruppe / items marked thus () are not part of assembly shown / Les pièces entre parenthèses ne font pas partie du sous-groupe

Diese Zeichnung darf nicht kopiert, vervielfältigt oder dritten Personen zugänglich gemacht werden. Widerrechtliche Benutzung hat strafrechtliche Folgen. / This drawing should not be, in whole or in part, copied, distributed or be used by or passed on as information to others for competition purposes or for whatever purposes without authorization. Unauthorized use is subject to prosecution.

| Pos.<br>Pos.<br>Code | Bestell-Nr.<br>Order-No.<br>Référence | Stück<br>Pieces<br>Pièce | V <sup>1</sup> / D <sup>2</sup> / R <sup>3</sup> | Artikelbezeichnung | Part Description | Désignation des articles |
|----------------------|---------------------------------------|--------------------------|--|--------------------|------------------|--------------------------|
| 1.                   | 0652438                               | 1                        |  | Ansaugsieb         | suction strainer | filtre d'aspiration      |

<sup>1</sup>V= Verschleißteile • Wear parts • Pièces d'usure usuelles

<sup>2</sup>D= Teile des Dichtungssatzes • Parts of seal kit • Pièces de kit de joints

<sup>3</sup>R= Teile des Reparatursatzes • Parts of repair kit • Pièces de kit de réparation

<sup>3</sup>R<sub>G</sub> = Teile des Reparatursatzes, groß • Parts of repair kit, big • Pièces de kit de réparation grand

<sup>3</sup>R<sub>K</sub> = Teile des Reparatursatzes, klein • Parts of repair kit, small • Pièces de kit de réparation, petit

**Ansaugleitung**  
**Suction System**  
**Système d'aspiration**

Bestell-Nr. • Order-No. • Référence: **0652414**

Serie • Serie • Série: **000**

Datum • Date • Date: **12.02.10**



**NW25 -RS-**

**Sicherungsmittel / Thread sealant / produit d'étanchéité**

| Symbol /<br>Symbol /<br>Symbole | Beschreibung /<br>Description /<br>Description   | Artikel / Bestell-Nr.<br>Article / Order-No.<br>L'article / Référence |
|---------------------------------|--|---|
| <b>r</b>                        | schwach / light / léger (50 ml)  | 222 / 0000016   |
| <b>b</b>                        | mittel / medium / medium (50 ml)   | 243 / 0000015   |
| <b>schw</b>                     | mittel, Kunststoff-Stahl / medium, plastic-steel /<br>medium, plastique-acier (20 ml)  | 480 / 0000107   |
| <b>g</b>                        | hochfest / high-streng / hautesistance (50 ml)<br>hochfest für Cr/Ni-Teile / for Cr/Ni steel parts /<br>pour partes fabriqué de Cr/Ni (50 ml)                    | 601 / 0000014<br>2701 / 0000303                                       |
| <b>p</b>                        | Rohrdichtungspaste / pipe sealant / pâte<br>d'étanchéité pour tuyaux (50 ml)   | 225 / 0000017   |
| <b>a</b>                        | Aktivator / activator / activateur (500 ml)<br>Aktivator für Kunststoffteile / activator for<br>plastic parts / activateur pour pièces de plasti-<br>que (10 ml) | 734 / 0000018<br>770 / 0000108  |
| <b>t</b>                        | Gewindeband / threaded tape / ruban de<br>filetage   | / 0000099   |

**Betriebsmittel / Machinery materials / Équipement de production**

| Symbol /<br>Symbol /<br>Symbole | Beschreibung /<br>Description /<br>Description   | Bestell-Nr.<br>Order-No.<br>Référence |
|---------------------------------|--|---------------------------------------|
| <b>F</b>                        | Fett, säurefrei / acid-free / sans acide   | 0000025                               |
| <b>T</b>                        | Trennmittel / release agent / agent séparateur<br>bei Verarbeitung von Isozyanat / for application<br>with isozyanate / pour l'application de l'isozyanate | 0163333<br>0640651                    |
| <b>M</b>                        | Montagepaste (für R- und RS-Ausführung) / as-<br>sembly paste (for version R or RS) / pâte d'as-<br>semblage (de version R et RS)                          | 0000045                               |

**Hauptsitz und Produktion / Headquarter (& Production):**  
**WIWA Wilhelm Wagner GmbH & Co. KG**  
 Gewerbestraße 1-3 • 35633 Lahnu, Germany  
 Tel.: +49 6441 609-0 • Fax: +49 6441 609-50  
 E-mail: info@wiwa.de  
 Internet: www.wiwa.de

**WIWA LP**  
 3734A Cook Blvd. • Chesapeake, VA 23323, USA  
 Tel.: +1-757-436-2223 • Fax: +1-757-436-2103 •  
 Tel. (Toll Free): +1-866-661-2139  
 E-mail: sales@wiwalp.com  
 Internet: www.wiwa.com

**WIWA Taicang Co., Ltd.**  
 No.87 East Suzhou Rd. • Taicang City  
 Jiangsu Province 215400 • P.R.China  
 Tel.: +86-512-5354-8858 • Fax: +86-512-5354-8859  
 E-mail: info@wiwa-china.com  
 Internet: www.wiwa.com

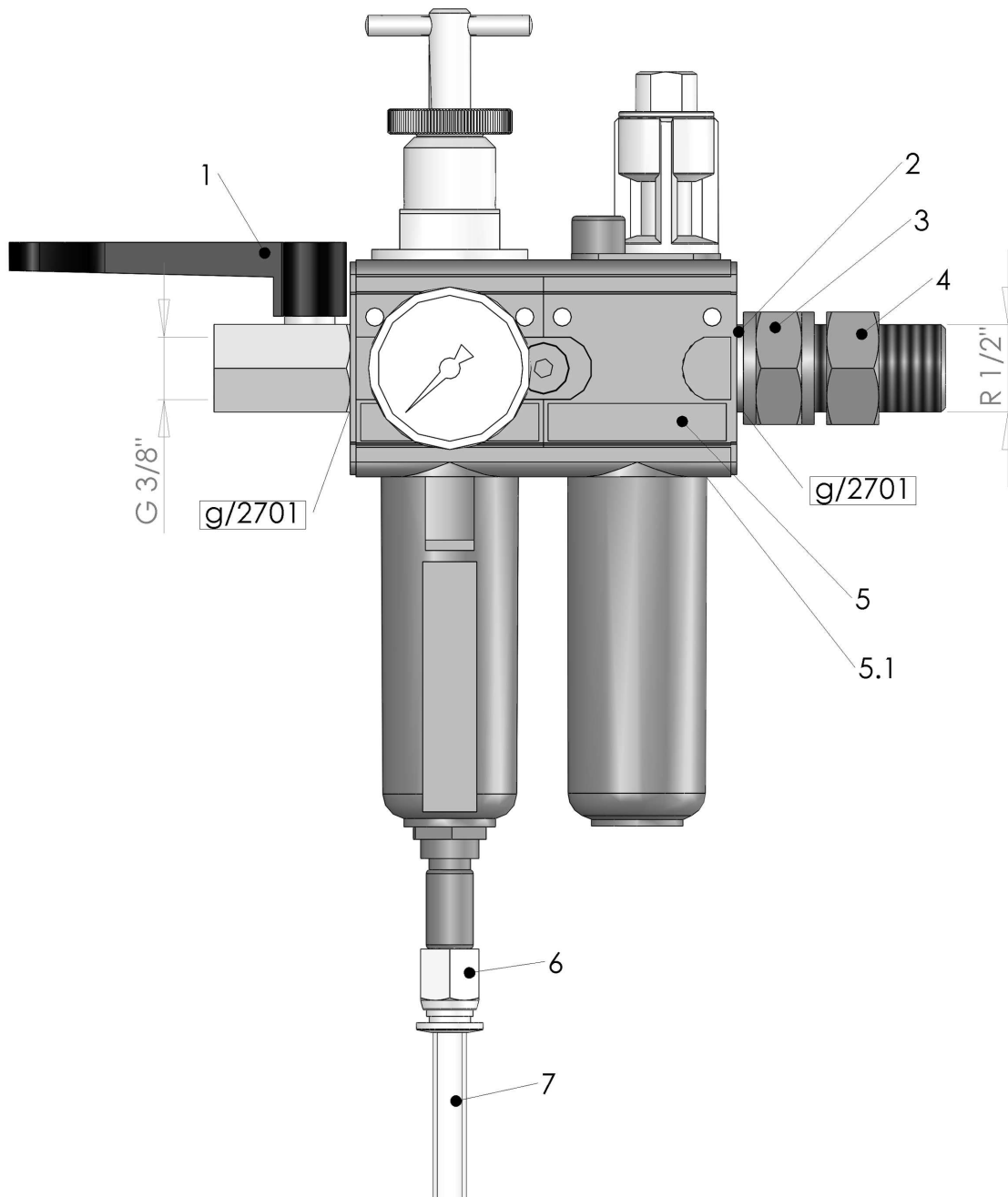


Bild:0648247E\_2.tif PL:W.M

Pos.-Nr. in Klammern ( ) sind keine Betandteile dieser Baugruppe / items marked with ( ) are not part of assembly shown / Les pièces entre parenthèses ne font pas partie du sous-groupe

Diese Zeichnung darf nicht kopiert, vervielfältigt oder dritten Personen zugänglich gemacht werden. Widerrechtliche Benutzung hat strafrechtliche Folgen. / This drawing should not be, in whole or in part, copied, distributed or be used by or passed on as information to others for competition purposes or for whatever purposes without authorization. Unauthorized use is subject to prosecution.

**Wartungseinheit kpl.**  
**Air Maintenance Unit cpl.**  
**Unité d'entretien cpl.**

Bestell-Nr. • Order-No. • Référence: **0648247**

Serie • Serie • Série: **000**

Datum • Date • Date: **23.11.11**



1/2"-WE3/8"

| Pos.<br>Pos.<br>Code | Bestell-Nr.<br>Order-No.<br>Référence | Stück<br>Pièces<br>Pièce | V <sup>1</sup> / D <sup>2</sup> / R <sup>3</sup> | Artikelbezeichnung                     | Part Description                          | Désignation des articles             |
|----------------------|---------------------------------------|--------------------------|--|--|---|--------------------------------------|
| 1.                   | 0648225                               | 1                        | V  | Kugelhahn                              | ball valve                                | vanne                                |
| 2.                   | 0641333                               | 1                        |  | Dichtung                               | seal                                      | joint                                |
| 3.                   | 0648227                               | 1                        |  | Muffennippel                           | socket nipple                             | raccord de manchon                   |
| 4.                   | 0648226                               | 1                        |  | Rohrverschraubung                      | pipe fitting                              | raccord vissé                        |
| 5.                   | 0647297                               | 1                        | V  | Wartungseinheit, beinhaltet<br>Pos.5.1 | air maintenance unit, includes<br>pos.5.1 | unité d'entretien, inclus<br>pos.5.1 |
| 5.1                  | 0649969                               | 2                        |  | O-Ring                                 | o-ring                                    | joint torique                        |
| 6.                   | 0648417                               | 1                        |  | Verschraubung                          | screw fitting                             | vissage                              |
| 7.                   | 0643925                               | 1m                       |  | Druckluftschlauch                      | compressed air hose                       | flexible à l'air comprimé            |

<sup>1</sup>V= Verschleißteile • Wear parts • Pièces d'usure usuelles

<sup>2</sup>D= Teile des Dichtungssatzes • Parts of seal kit • Pièces de kit de joints

<sup>3</sup>R= Teile des Reparatursatzes • Parts of repair kit • Pièces de kit de réparation

<sup>3</sup>R<sub>G</sub> = Teile des Reparatursatzes, groß • Parts of repair kit, big • Pièces de kit de réparation grand

<sup>3</sup>R<sub>K</sub> = Teile des Reparatursatzes, klein • Parts of repair kit, small • Pièces de kit de réparation, petit

**Sicherungsmittel / Thread sealant / produit d'étanchéité**

| Symbol /<br>Symbol /<br>Symbole | Beschreibung /<br>Description /<br>Description   | Artikel / Bestell-Nr.<br>Article / Order-No.<br>L'article / Référence |
|---------------------------------|--|---|
| <b>r</b>                        | schwach / light / léger (50 ml)  | 222 / 0000016   |
| <b>b</b>                        | mittel / medium / medium (50 ml)   | 243 / 0000015   |
| <b>schw</b>                     | mittel, Kunststoff-Stahl / medium, plastic-steel /<br>medium, plastique-acier (20 ml)  | 480 / 0000107   |
| <b>g</b>                        | hochfest / high-streng / hautesistance (50 ml)<br>hochfest für Cr/Ni-Teile / for Cr/Ni steel parts /<br>pour parties fabriqué de Cr/Ni (50 ml)                   | 601 / 0000014<br>2701 / 0000303                                       |
| <b>p</b>                        | Rohrdichtungspaste / pipe sealant / pâte<br>d'étanchéité pour tuyaux (50 ml)   | 225 / 0000017   |
| <b>a</b>                        | Aktivator / activator / activateur (500 ml)<br>Aktivator für Kunststoffteile / activator for<br>plastic parts / activateur pour pièces de plasti-<br>que (10 ml) | 734 / 0000018<br>770 / 0000108  |
| <b>t</b>                        | Gewindeband / threaded tape / ruban de<br>filetage   | / 0000099   |

**Betriebsmittel / Machinery materials / Équipement de production**

| Symbol /<br>Symbol /<br>Symbole | Beschreibung /<br>Description /<br>Description   | Bestell-Nr.<br>Order-No.<br>Référence |
|---------------------------------|--|---------------------------------------|
| <b>F</b>                        | Fett, säurefrei / acid-free / sans acide   | 0000025                               |
| <b>T</b>                        | Trennmittel / release agent / agent séparateur<br>bei Verarbeitung von Isozyanat / for application<br>with isozyanate / pour l'application de l'isozyanate | 0163333<br>0640651                    |
| <b>M</b>                        | Montagepaste (für R- und RS-Ausführung) / as-<br>sembly paste (for version R or RS) / pâte d'as-<br>semblage (de version R et RS)                          | 0000045                               |

**Hauptsitz und Produktion / Headquarter (& Production):**  
**WIWA Wilhelm Wagner GmbH & Co. KG**  
 Gewerbestraße 1-3 • 35633 Lahnau, Germany  
 Tel.: +49 6441 609-0 • Fax: +49 6441 609-50  
 E-mail: info@wiwa.de  
 Internet: www.wiwa.de

**WIWA LP**  
 107 N.Main St. • P.O. Box 398, Alger.OH 45812  
 Tel:+1-419-549-5180 • Fax:+1-419-549-5173 •  
 Tel.(Toll Free): +1-866-661-2139  
 E-mail: jwold@wiwalp.com  
 Internet: www.wiwa.com

**WIWA Taicang Co.,Ltd.**  
 No.87 East Suzhou Rd. • Taicang City  
 Jiangsu Province 215400 • P.R.China  
 Tel:+86-512-5354-8858•Fax:+86-512-5354-8859  
 E-mail: info@wiwa-china.com  
 Internet: www.wiwa.com

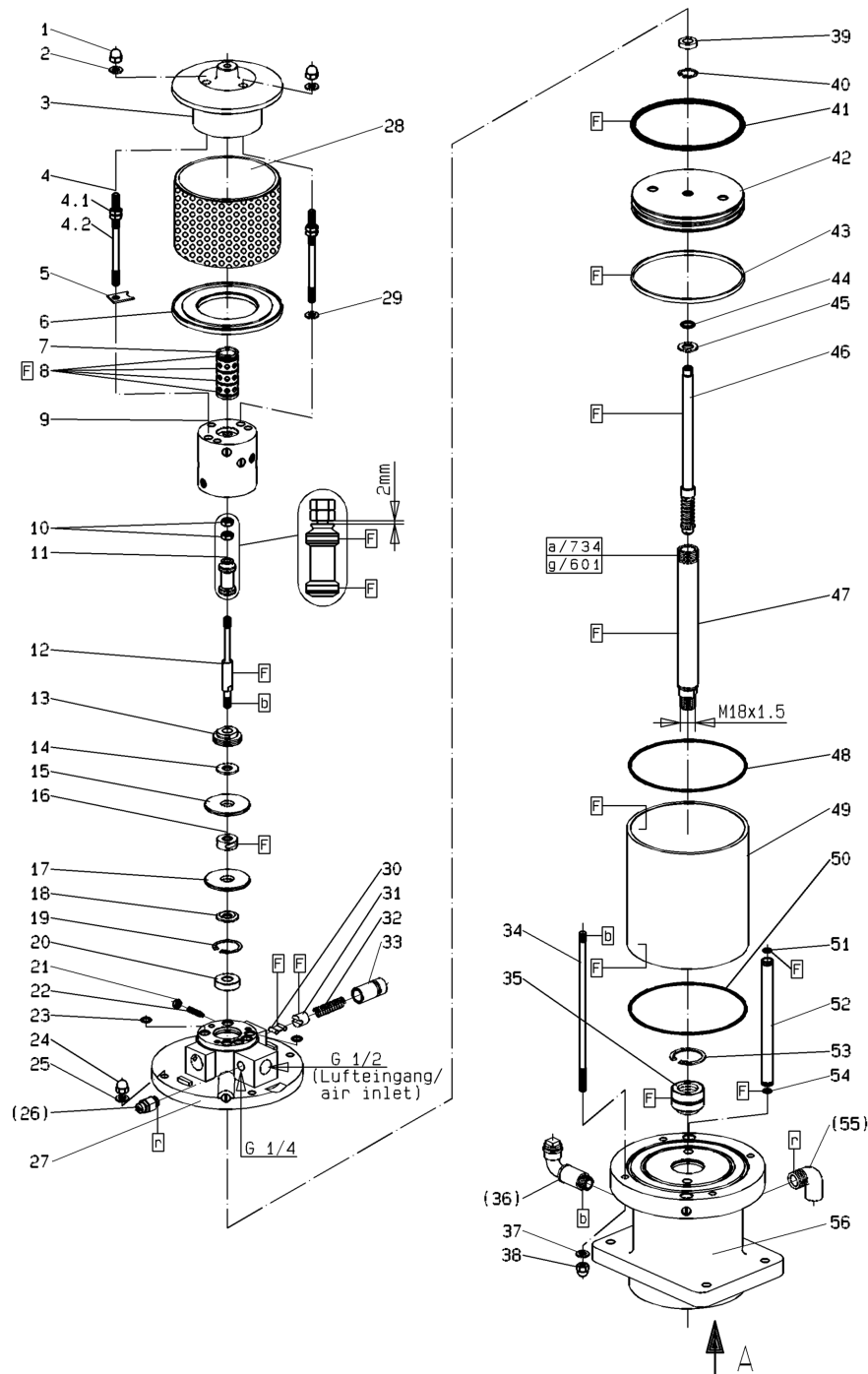
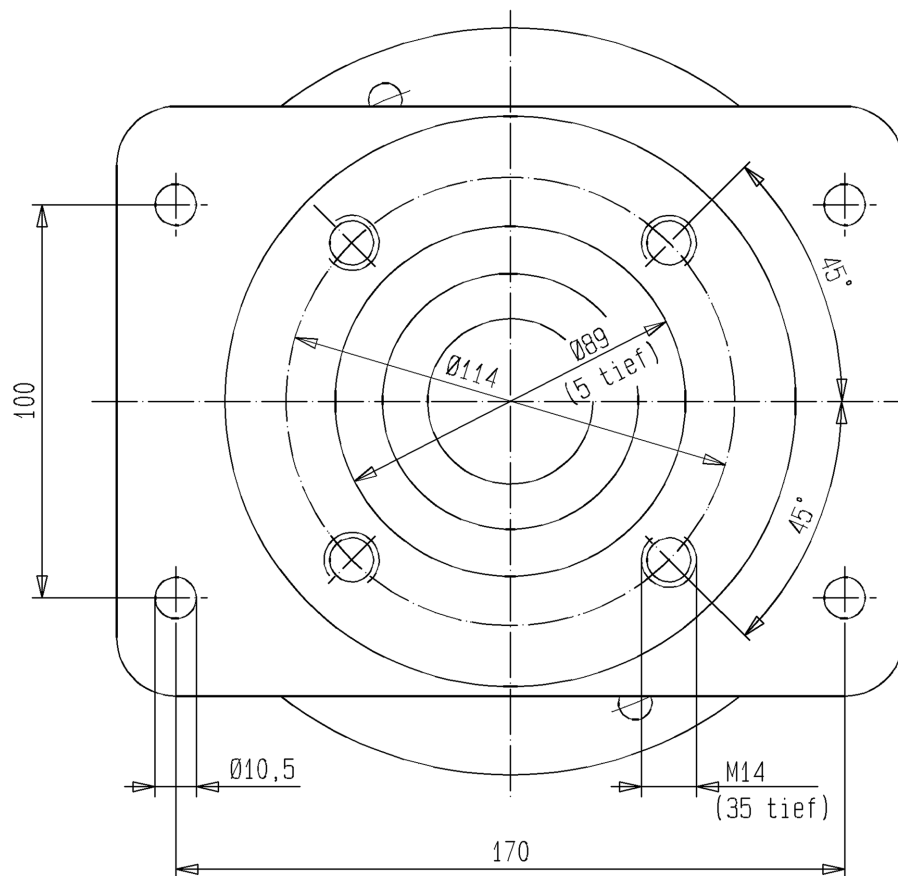


Bild:0642841E\_2.tif+E1\_2.tif

Pos.-Nr. in Klammern ( ) sind keine Bestandteile dieser Baugruppe / items marked thus ( ) are not part of assembly shown / Les pièces entre parenthèses ne font pas partie du sous-groupe

Diese Zeichnung darf nicht kopiert, vervielfältigt oder dritten Personen zugänglich gemacht werden. Widerrechtliche Benutzung hat strafrechtliche Folgen. / This drawing should not be, in whole or in part, copied, distributed or be used by or passed on as information to others for competition purposes or for whatever purposes without authorization. Unauthorized use is subject to prosecution.

Ansicht A (Pos.56)



**Luftmotor**  
**Air Motor**  
**Moteur pneumatique**

Bestell-Nr. • Order-No. • Référence: **0642841**

Serie • Serie • Série: **000**

Datum • Date • Date: **23.03.10**



**D140/120**

| Pos.<br>Pos.<br>Code | Bestell-Nr.<br>Order-No.<br>Référence | Stück<br>Pieces<br>Pièce | V <sup>1</sup> / D <sup>2</sup> / R <sup>3</sup> | Artikelbezeichnung                            | Part Description                                     | Désignation des articles                  |
|----------------------|---------------------------------------|--------------------------|--|---|--|---|
| 1.                   | 0475297                               | 3                        |  | Hutmutter                                     | dome nut   | écrou à capuchon                          |
| 2.                   | 0460214                               | 3                        |  | U-Scheibe                                     | washer   | rondelle                                  |
| 3.                   | 0641317                               | 1                        |  | Deckel  | cover  | couvercle                                 |
| 4.                   | 0641550                               | 3                        |  | Stehbolzen kpl.<br>bestehend aus Pos. 4.1-4.2 | threaded bolt assembly<br>consisting of pos. 4.1-4.2 | boulon cpl.<br>consistant en pos. 4.1-4.2 |
| 4.1                  | 0460192                               | 6                        |  | Mutter  | nut  | écrou                                     |
| 4.2                  | 0641320                               | 3                        |  | Stehbolzen kpl.                               | threaded bolt assembly                               | boulon cpl.                               |
| 5.                   | 0641314                               | 1                        |  | Sicherungsblech                               | safety plate   | tôle de sécurité                          |
| 6.                   | 0474932                               | 1                        |  | Scheibe                                       | disc   | disque                                    |
| 7.                   | 0641318                               | 1                        |  | Steuerzylinder                                | control cylinder                                     | cylindre de contrôle                      |
| 8.                   | 0310182                               | 4                        | V, D, R  | O-Ring  | o-ring   | joint torique                             |
| 9.                   | 0641151                               | 1                        |  | Steuergehäuse kpl.                            | control housing assembly                             | corps de contrôle cpl.                    |
| 10.                  | 0460192                               | 2                        | R  | Mutter  | nut  | écrou                                     |
| 11.                  | 0641327                               | 1                        | V,R  | Steuerkolben kpl.                             | control piston assembly                              | piston de contrôle cpl.                   |
| 12.                  | 0641319                               | 1                        |  | Steuerachse                                   | control axle   | axe de contrôle                           |
| 13.                  | 0475076                               | 1                        |  | Zentrierstück                                 | centering piece                                      | pièce à centrer                           |
| 14.                  | 0475041                               | 1                        | V,R  | Dämpfungsscheibe                              | dampening spacer                                     | rondelle insonorisante                    |
| 15.                  | 0494054                               | 1                        |  | Scheibe                                       | disc   | disque                                    |
| 16.                  | 0480258                               | 1                        | V,R  | Mitnehmer kpl.                                | carrier assembly                                     | toc d'entraînement cpl.                   |
| 17.                  | 0494054                               | 1                        |  | Scheibe                                       | disc   | disque                                    |
| 18.                  | 0475041                               | 1                        | V,R  | Dämpfungsscheibe                              | dampening spacer                                     | rondelle insonorisante                    |
| 19.                  | 0493961                               | 1                        | R  | Sicherungsring                                | retaining ring                                       | circlip                                   |
| 20.                  | 0493953                               | 1                        |  | Scheibe                                       | disc   | disque                                    |
| 21.                  | 0460184                               | 2                        |  | Mutter  | nut  | écrou                                     |
| 22.                  | 0460362                               | 2                        |  | Gewindestift                                  | threaded pin   | vis-sans-tête                             |
| 23.                  | 0641324                               | 6                        | V,D, R   | O-Ring  | o-ring   | joint torique                             |
| 24.                  | 0475297                               | 4                        |  | Hutmutter                                     | dome nut   | écrou capuchon                            |
| 25.                  | 0460214                               | 4                        |  | U-Scheibe                                     | washer   | rondelle                                  |
| (26.)                | ***                                   | 1                        |  | Sicherheitsventil                             | safety valve   | vanne de sécurité                         |
| 27.                  | 0641325                               | 1                        |  | Oberteil kpl.                                 | cylinder head assembly                               | partie supérieure cpl.                    |
| 28.                  | 0641331                               | 1                        |  | Schalldämpfer kpl.                            | air muffler assembly                                 | silencieux cpl.                           |
| 29.                  | 0460214                               | 2                        |  | U-Scheibe                                     | washer   | rondelle                                  |
| 30.                  | 0470325                               | 2                        | V  | Schnäpper                                     | toggle   | bascule                                   |
| 31.                  | 0473081                               | 2                        | V  | Schnäpperlager                                | toggle bearing                                       | roulement                                 |
| 32.                  | 0411876                               | 2                        | V  | Druckfeder                                    | spring   | ressort                                   |
| 33.                  | 0475122                               | 2                        |  | Lagerbuchse                                   | bearing bush   | coussinet                                 |
| 34.                  | 0630932                               | 4                        |  | Stehbolzen                                    | threaded bolt  | boulon                                    |
| 35.                  | 0482471                               | 1                        | V,D, R   | Buchse kpl.                                   | bush assembly  | douille cpl.                              |
| (36.)                | 0489026                               | 1                        |  | Elnfüllstutzen kpl.                           | filler neck assembly                                 | tube de remplissage                       |
| 37.                  | 0460214                               | 4                        |  | U-Scheibe                                     | washer   | rondelle                                  |

**Hauptsitz und Produktion / Headquarter (& Production):**  
**WIWA Wilhelm Wagner GmbH & Co. KG**  
 Gewerbestraße 1-3 • 35633 Lahnu, Germany  
 Tel.: +49 6441 609-0 • Fax: +49 6441 609-50  
 E-mail: info@wiwa.de  
 Internet: www.wiwa.de

**WIWA LP**  
 3734A Cook Blvd. • Chesapeake, VA 23323, USA  
 Tel:+1-757-436-2223 • Fax:+1-757-436-2103 •  
 Tel.(Toll Free): +1-866-661-2139  
 E-mail: sales@wiwalp.com  
 Internet: www.wiwa.com

**WIWA Taicang Co.,Ltd.**  
 No.87 East Suzhou Rd. • Taicang City  
 Jiangsu Province 215400 • P.R.China  
 Tel:+86-512-5354-8858•Fax:+86-512-5354-8859  
 E-mail: info@wiwa-china.com  
 Internet: www.wiwa.com

**Luftmotor**  
**Air Motor**  
**Moteur pneumatique**

Bestell-Nr. • Order-No. • Référence: **0642841**

Serie • Serie • Série: **000**

Datum • Date • Date: **23.03.10**



**D140/120**

| Pos.<br>Pos.<br>Code<br>(Forts.) | Bestell-Nr.<br>Order-No.<br>Référence | Stück<br>Pieces<br>Pièce | V <sup>1</sup> / D <sup>2</sup> / R <sup>3</sup> | Artikelbezeichnung | Part Description    | Désignation des articles |
|----------------------------------|---------------------------------------|--------------------------|--|--------------------|---------------------|--------------------------|
| 38.                              | 0475297                               | 4                        |  | Hutmutter          | dome nut            | écrou capuchon           |
| 39.                              | 0475114                               | 1                        | V,D, R   | Nutring            | lip seal            | joint                    |
| 40.                              | 0461334                               | 1                        | R  | Sicherungsring     | retaining ring      | circlip                  |
| 41.                              | 0311391                               | 1                        | V,D,R  | O-Ring             | o-ring              | joint torique            |
| 42.                              | 0475149                               | 1                        |  | Kolbenplatte       | piston plate        | plateau piston           |
| 43.                              | 0475157                               | 1                        | V,D,R  | Führungsring       | guide ring          | bague de guidage         |
| 44.                              | 0477281                               | 1                        | V,D,R  | O-Ring             | o-ring              | joint torique            |
| 45.                              | 0475165                               | 1                        | V,R  | Scheibe            | disc                | disque                   |
| 46.                              | 0642225                               | 1                        | V,R  | Umsteuerachse kpl. | guide axle assembly | axe de contrôle cpl.     |
| 47.                              | 0640796                               | 1                        | V  | Motorachse         | motor axle          | axe de moteur            |
| 48.                              | 0311405                               | 1                        | V,D, R   | O-Ring             | o-ring              | joint torique            |
| 49.                              | 0638910                               | 1                        | V  | Zylinder           | cylinder            | cylindre                 |
| 50.                              | 0311405                               | 1                        | V,D,R  | O-Ring             | o-ring              | joint torique            |
| 51.                              | 0631431                               | 2                        | V,D,R  | O-Ring             | o-ring              | joint torique            |
| 52.                              | 0638914                               | 2                        |  | Belüftungsrohr     | air inlet pipe      | tube d'air               |
| 53.                              | 0473367                               | 1                        | R  | Sicherungsring     | retaining ring      | circlip                  |
| 54.                              | 0631431                               | 2                        | V,D,R  | O-Ring             | o-ring              | joint torique            |
| (55.)                            | 0644436                               | 1                        |  | Winkel             | elbow               | coude                    |
| 56.                              | 0642892                               | 1                        |  | Unterteil kpl.     | bottom assembly     | partie inférieure cpl.   |
|                                  | 0641491                               |                          | R  | Dichtungssatz      | seal kit            | jeu de joints            |
|                                  | 0640893                               |                          |  | Reparatursatz      | repair kit          | jeu de réparation        |

\*\*\* Best.-Nr. für Sicherheitsventil siehe Maschinenkarte - Order number for safety valve see card of machines - Référence de soupape de sureté voir carte machin

<sup>1</sup>V= Verschleißteile • Wear parts • Pièces d'usure usuelles

<sup>2</sup>D= Teile des Dichtungssatzes • Parts of seal kit • Pièces de kit de joints

<sup>3</sup>R= Teile des Reparatursatzes • Parts of repair kit • Pièces de kit de reparation

<sup>3</sup>R<sub>G</sub> = Teile des Reparatursatzes, groß • Parts of repair kit, big • Pièces de kit de reparation grand

<sup>3</sup>R<sub>K</sub> = Teile des Reparatursatzes, klein • Parts of repair kit, small • Pièces de kit de reparation, petit

**Sicherungsmittel / Thread sealant / produit d'étanchéité**

| Symbol /<br>Symbol /<br>Symbole | Beschreibung /<br>Description /<br>Description   | Artikel / Bestell-Nr.<br>Article / Order-No.<br>L'article / Référence |
|---------------------------------|--|---|
| <b>r</b>                        | schwach / light / léger (50 ml)  | 222 / 0000016   |
| <b>b</b>                        | mittel / medium / medium (50 ml)   | 243 / 0000015   |
| <b>schw</b>                     | mittel, Kunststoff-Stahl / medium, plastic-steel /<br>medium, plastique-acier (20 ml)  | 480 / 0000107   |
| <b>g</b>                        | hochfest / high-streng / hautesistance (50 ml)<br>hochfest für Cr/Ni-Teile / for Cr/Ni steel parts /<br>pour parties fabriqué de Cr/Ni (50 ml)                   | 601 / 0000014<br>2701 / 0000303                                       |
| <b>p</b>                        | Rohrdichtungspaste / pipe sealant / pâte<br>d'étanchéité pour tuyaux (50 ml)   | 225 / 0000017   |
| <b>a</b>                        | Aktivator / activator / activateur (500 ml)<br>Aktivator für Kunststoffteile / activator for<br>plastic parts / activateur pour pièces de plasti-<br>que (10 ml) | 734 / 0000018<br>770 / 0000108  |
| <b>t</b>                        | Gewindeband / threaded tape / ruban de<br>filetage   | / 0000099   |

**Betriebsmittel / Machinery materials / Équipement de production**

| Symbol /<br>Symbol /<br>Symbole | Beschreibung /<br>Description /<br>Description   | Bestell-Nr.<br>Order-No.<br>Référence |
|---------------------------------|--|---------------------------------------|
| <b>F</b>                        | Fett, säurefrei / acid-free / sans acide   | 0000025                               |
| <b>T</b>                        | Trennmittel / release agent / agent séparateur<br>bei Verarbeitung von Isozyanat / for application<br>with isocyanate / pour l'application de l'isocyanate | 0163333<br>0640651                    |
| <b>M</b>                        | Montagepaste (für R- und RS-Ausführung) / as-<br>sembly paste (for version R or RS) / pâte d'as-<br>semblage (de version R et RS)                          | 0000045                               |

**Hauptsitz und Produktion / Headquarter (& Production):**  
**WIWA Wilhelm Wagner GmbH & Co. KG**  
Gewerbstraße 1-3 • 35633 Lahnu, Germany  
Tel.: +49 6441 609-0 • Fax: +49 6441 609-50  
E-mail: info@wiwa.de  
Internet: www.wiwa.de

**WIWA LP**  
3734A Cook Blvd. • Chesapeake, VA 23323, USA  
Tel:+1-757-436-2223 • Fax:+1-757-436-2103 •  
Tel.(Toll Free): +1-866-661-2139  
E-mail: sales@wiwalp.com  
Internet: www.wiwa.com

**WIWA Taicang Co.,Ltd.**  
No.87 East Suzhou Rd. • Taicang City  
Jiangsu Province 215400 • P.R.China  
Tel:+86-512-5354-8858•Fax:+86-512-5354-8859  
E-mail: info@wiwa-china.com  
Internet: www.wiwa.com