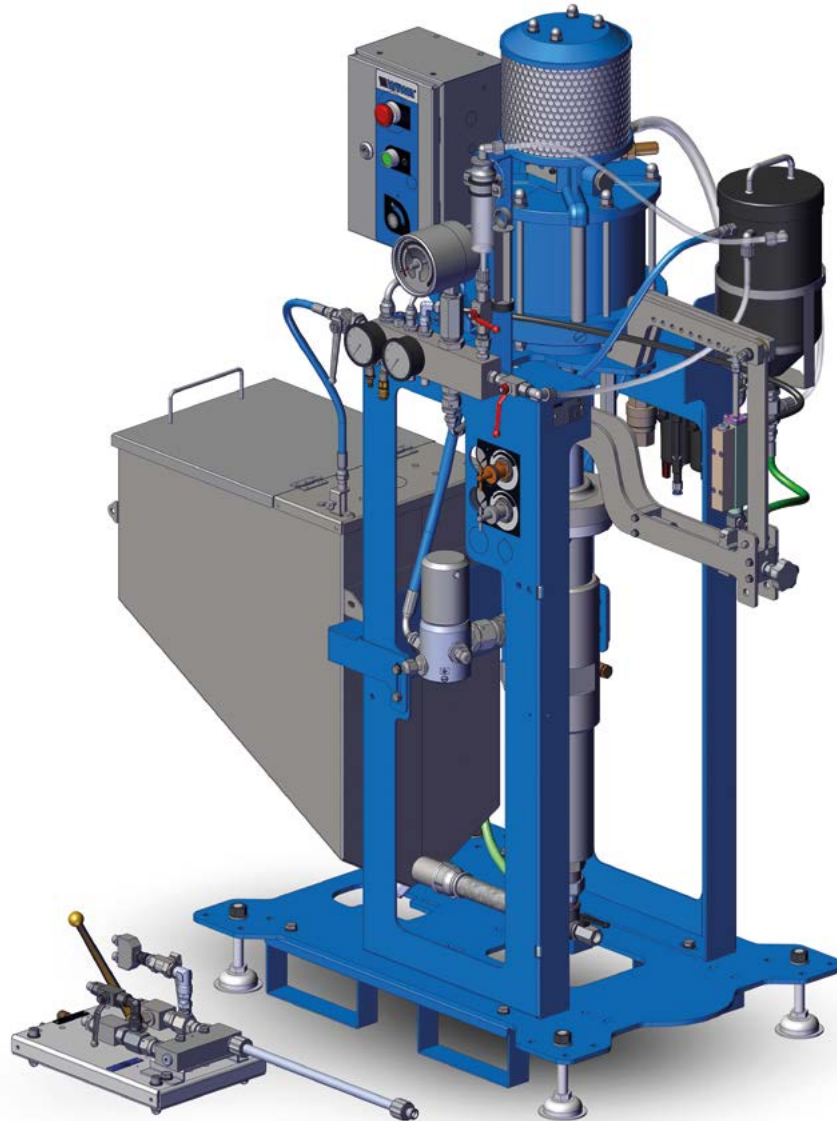




Your project deserves it.



**WIWA**

**GLASS FLAKE SYSTEM**

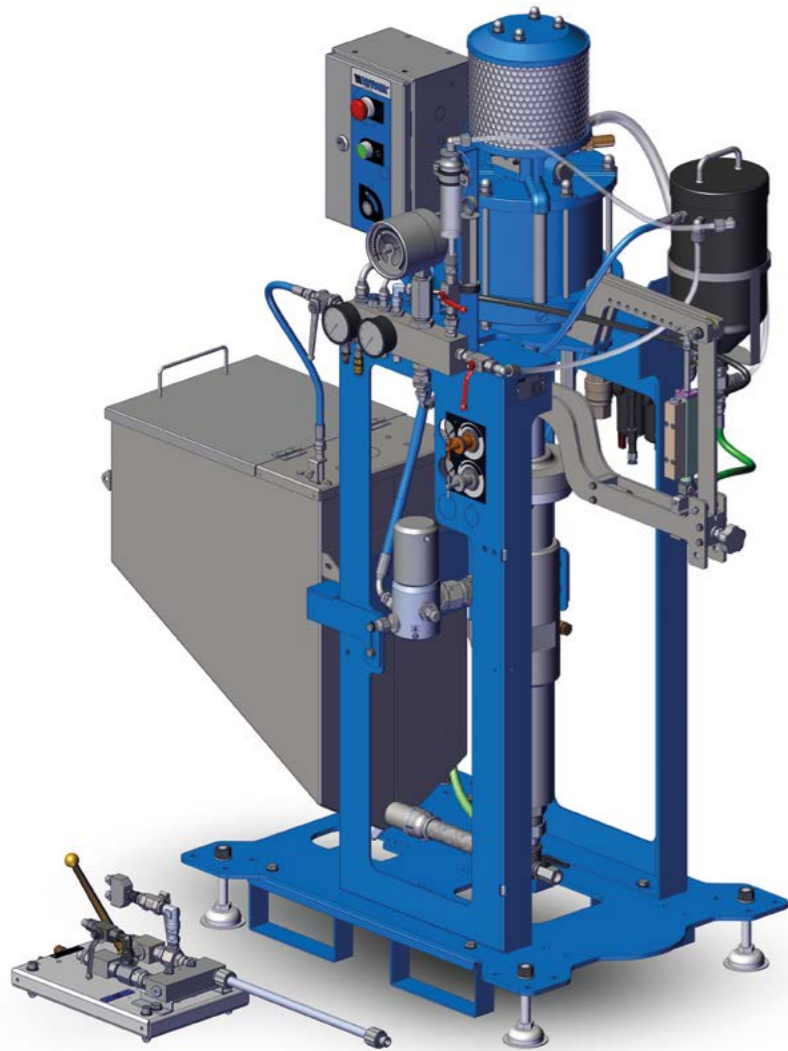
[WWW.WIWA.COM](http://WWW.WIWA.COM)

## Ideal for Corrosion Protection

Long-term corrosion protection is particularly recommended in areas exposed to extreme mechanical wear and harsh environmental conditions and where future maintenance will be a challenge.

High-performance Glass Flake materials combined with optimum WIWA processing technology are the prerequisites for successful corrosion protection measures.

With the WIWA 2K Glass Flake System, these high-build, extremely abrasion resistant and fast-curing corrosion protection coatings can be applied reliably. Through the gauging unit the correct mixing ratio is checked before spraying. During the spraying process, this is monitored by the pneumatic pressure and metering monitoring.



### Advantages

- Compact design
- Less wear, flushing effort and material consumption\*
- Monitoring function before and during spraying

\* Compared to 1K processing.

Due to the 2K processing, wear, flushing effort as well as material consumption could be significantly reduced compared to the 1K processing. Only the spray hose from the mixer must be flushed. There is no need for time-consuming cleaning, as is the case with 1K processing, and this protects the wear parts.

There is also no need to mix the material in advance. Only what is actually consumed is mixed.

**Your advantage: process reliability and cost optimization.**

The hardener is dosed undiluted and can be adjusted continuously from 1-3 %

### Areas of Application

- Offshore & Marine Industry
- Splash Zones
- Jetties and tidal zones
- Refineries
- Bridges
- Mining equipment
- Steel industry
- Wind energy



### Technical data

Catalyzation range	1 % – 3%
Mixing ratio	99:1 – 97:3
Max. operating pressure	256 bar
Pressure ratio	32:1
Delivery rate	306 ccm
max. air inlet pressure	8 bar/116 psi
Order No.	0664038
Order No. Attachment kit forklift lug	0663298
Order No. Attachment kit chassis	0656192
Order No. Attachment kit with agitator	0664191

### Features

- Dosing pump WIWA Professional 306.32
- Feed hopper A Component 70 l, B component 4.8 l
- Pressure and dosing monitoring
- 20 m hose package
- External mixer

### Materials


- Glass Flake filled Polyester coating
- Polyester coating (unfilled)
- Polyester filler
- Other materials with 1-3% dosage



 WIWA Wilhelm Wagner GmbH & Co. KG

 WIWA Wilhelm Wagner GmbH & Co. KG

 @wiwa\_airless\_global\_hq

 +49 (0) 6441 609-0

 info@wiwa.de

**Hauptsitz und Produktion Deutschland**

WIWA Wilhelm Wagner GmbH & Co. KG

Gewerbestraße 1-3

35633 Lahnau

Telefon: +49 (0) 64 41 / 6 09-0

[www.wiwa.de](http://www.wiwa.de)

**WIWA Subsidiary USA**

WIWA LLC – USA, Canada, Latin America

107 N. Main St., Alger, OH 45812

Phone: +1-419-757-0141

Toll-Free: +1-855-757-0141

[www.wiwausa.com](http://www.wiwausa.com)

ISO 9001

**BUREAU VERITAS**  
Certification

